

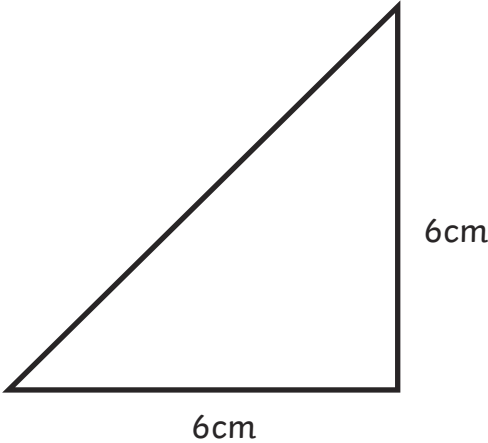
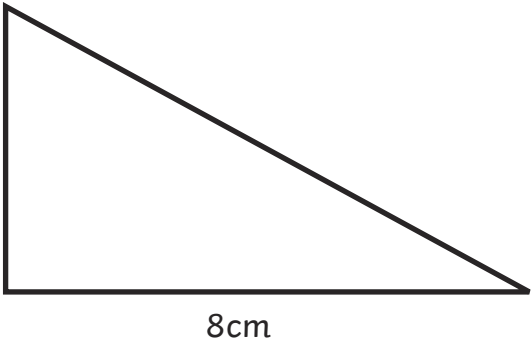
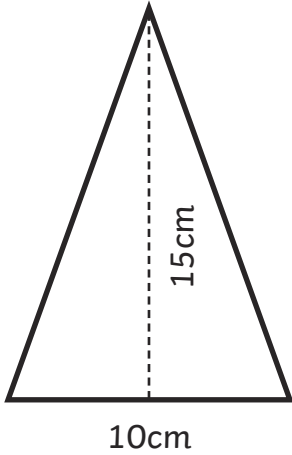
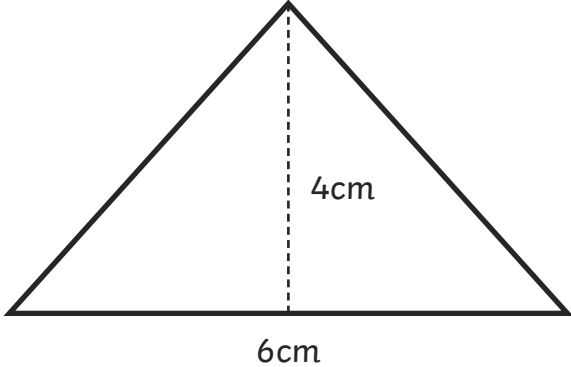


# Area of Triangles and Parallelograms

I can calculate the area of triangles and parallelograms.



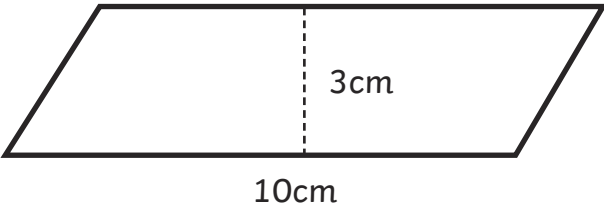
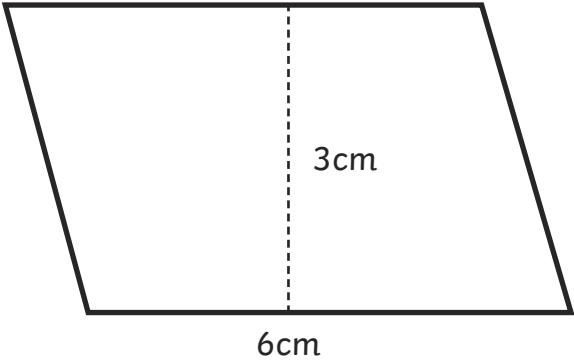
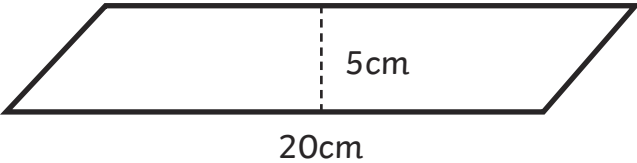
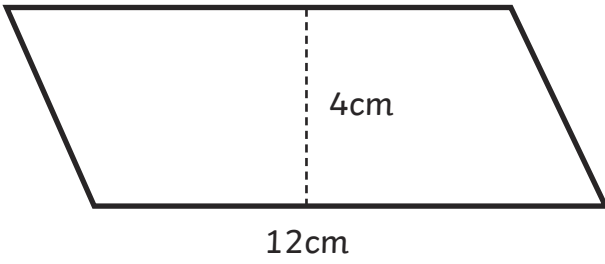
1. Calculate the area of these triangles and place the shape letter in the correct column.

<p>Shape A</p>  <p>6cm</p> <p>6cm</p>	<p>Shape B</p>  <p>4cm</p> <p>8cm</p>
<p>Shape C</p>  <p>15cm</p> <p>10cm</p>	<p>Shape D</p>  <p>4cm</p> <p>6cm</p>

Area below $15\text{cm}^2$	Area $15\text{cm}^2$ – $20\text{cm}^2$	Area over $20\text{cm}^2$



2. Calculate the area of these parallelograms and place the shape letter in the correct column.

<p>Shape A</p> 	<p>Shape B</p> 
<p>Shape C</p> 	<p>Shape D</p> 

Area below $20\text{cm}^2$	Area $20\text{cm}^2 - 40\text{cm}^2$	Area over $40\text{cm}^2$

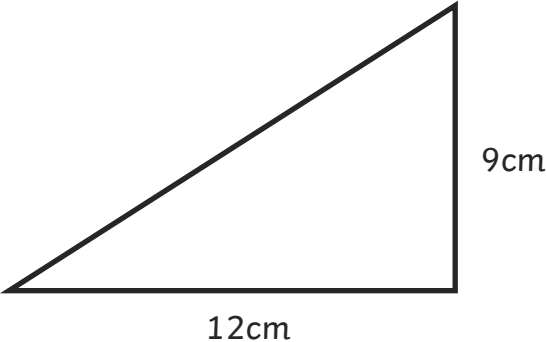
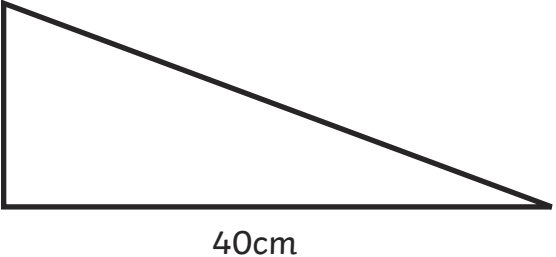
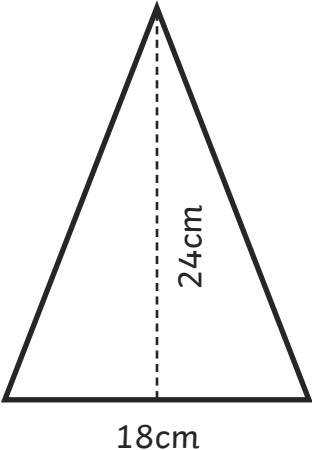
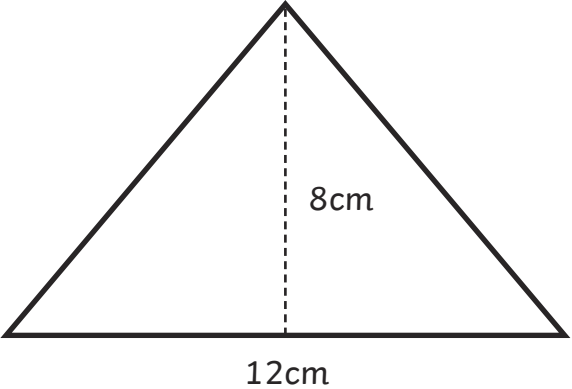


# Area of Triangles and Parallelograms

I can calculate the area of triangles and parallelograms.



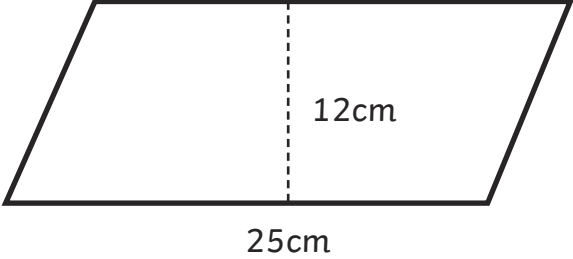
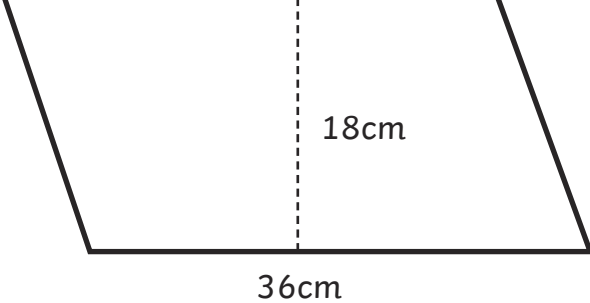
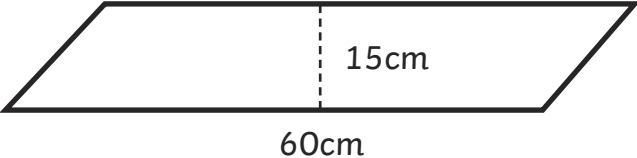
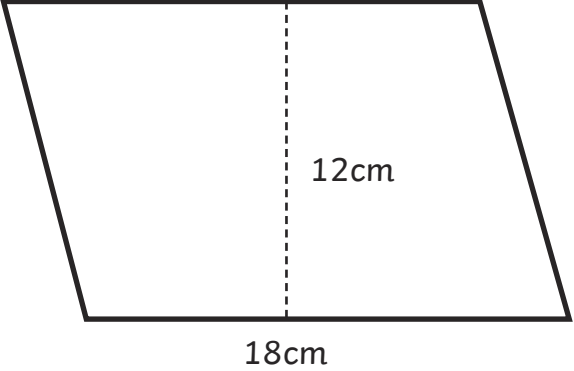
1. Calculate the area of these triangles and place the shape letter in the correct column.

<p>Shape A</p>  <p>12cm</p> <p>9cm</p>	<p>Shape B</p>  <p>16cm</p> <p>40cm</p>
<p>Shape C</p>  <p>18cm</p> <p>24cm</p>	<p>Shape D</p>  <p>12cm</p> <p>8cm</p>

Area below $50\text{cm}^2$	Area $50\text{cm}^2$ – $200\text{cm}^2$	Area over $200\text{cm}^2$



2. Calculate the area of these parallelograms and place the shape letter in the correct column.

<p>Shape A</p> 	<p>Shape B</p> 
<p>Shape C</p> 	<p>Shape D</p> 

Area below 200cm <sup>2</sup>	Area 200cm <sup>2</sup> -300cm <sup>2</sup>	Area over 300cm <sup>2</sup>

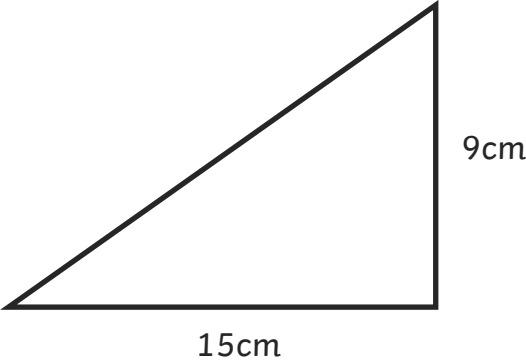
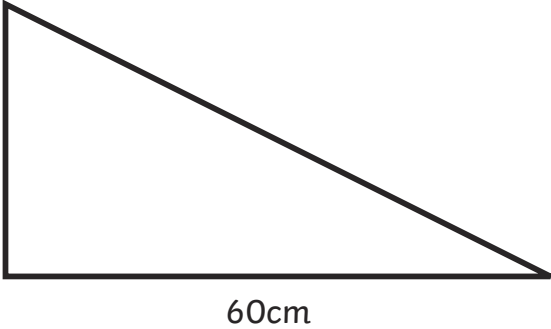
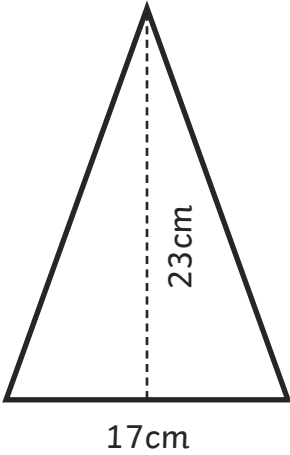
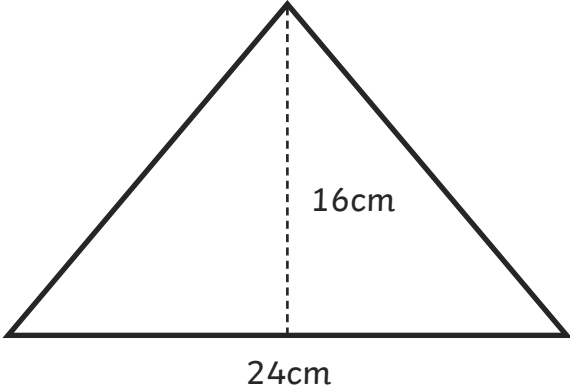


# Area of Triangles and Parallelograms

I can calculate the area of triangles and parallelograms.



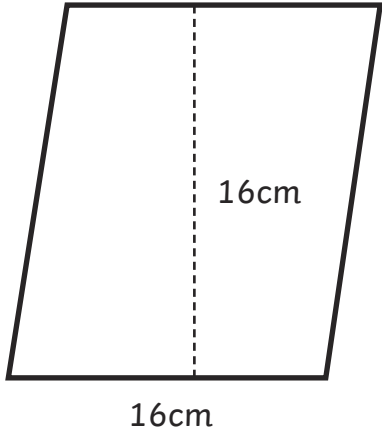
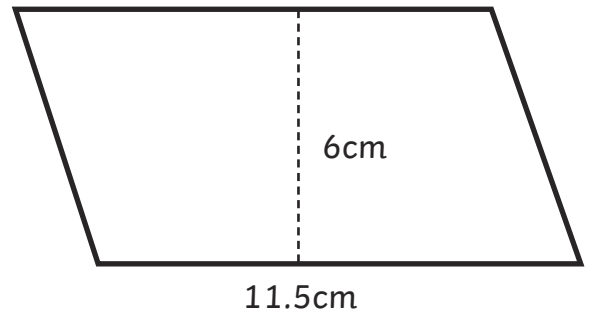
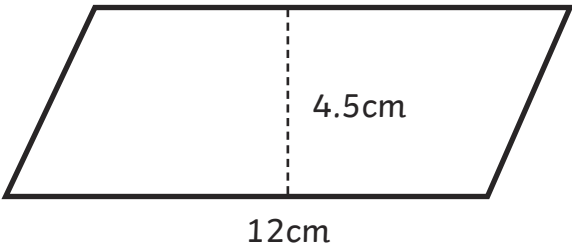
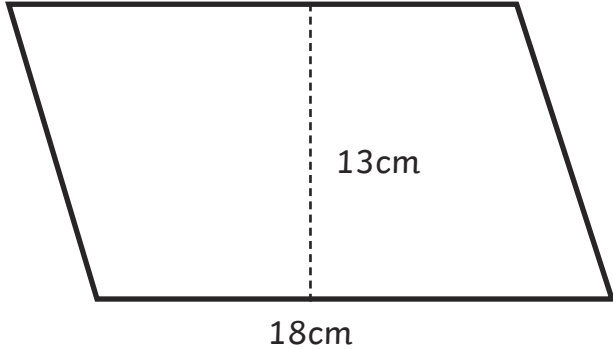
1. Calculate the area of these triangles and place the shape letter in the correct column.

<p>Shape A</p>  <p>15cm</p> <p>9cm</p>	<p>Shape B</p>  <p>25cm</p> <p>60cm</p>
<p>Shape C</p>  <p>17cm</p> <p>23cm</p>	<p>Shape D</p>  <p>24cm</p> <p>16cm</p>

Area below $100\text{cm}^2$	Area $100\text{cm}^2$ – $200\text{cm}^2$	Area over $200\text{cm}^2$



2. Calculate the area of these parallelograms and place the shape letter in the correct column.

<p>Shape A</p> 	<p>Shape B</p> 
<p>Shape C</p> 	<p>Shape D</p> 

Area below $60\text{cm}^2$	Area $60\text{cm}^2$ – $200\text{cm}^2$	Area over $200\text{cm}^2$



# Area of Triangles and Parallelograms **Answers**

1. Calculate the area of these triangles and place the shape letter in the correct column.

<b>Area below <math>15\text{cm}^2</math></b>	<b>Area <math>15\text{cm}^2</math>–<math>20\text{cm}^2</math></b>	<b>Area over <math>20\text{cm}^2</math></b>
<i>Shape D</i>	<i>Shape A</i> <i>Shape B</i>	<i>Shape C</i>

2. Calculate the area of these parallelograms and place the shape letter in the correct column.

<b>Area below <math>20\text{cm}^2</math></b>	<b>Area <math>20\text{cm}^2</math>–<math>40\text{cm}^2</math></b>	<b>Area over <math>40\text{cm}^2</math></b>
<i>Shape B</i>	<i>Shape A</i>	<i>Shape C</i> <i>Shape D</i>



# Area of Triangles and Parallelograms **Answers**

1. Calculate the area of these triangles and place the shape letter in the correct column.

<b>Area below <math>50\text{cm}^2</math></b>	<b>Area <math>50\text{cm}^2</math>–<math>200\text{cm}^2</math></b>	<b>Area over <math>200\text{cm}^2</math></b>
<i>Shape D</i>	<i>Shape A</i>	<i>Shape B</i> <i>Shape C</i>

2. Calculate the area of these parallelograms and place the shape letter in the correct column.

<b>Area below <math>200\text{cm}^2</math></b>	<b>Area <math>200\text{cm}^2</math>–<math>300\text{cm}^2</math></b>	<b>Area over <math>300\text{cm}^2</math></b>
	<i>Shape A</i> <i>Shape D</i>	<i>Shape B</i> <i>Shape C</i>





# Area of Triangles and Parallelograms **Answers**

1. Calculate the area of these triangles and place the shape letter in the correct column.

Area below $100\text{cm}^2$	Area $100\text{cm}^2$ – $200\text{cm}^2$	Area over $200\text{cm}^2$
<i>Shape A</i>	<i>Shape C</i> <i>Shape D</i>	<i>Shape B</i>

2. Calculate the area of these parallelograms and place the shape letter in the correct column.

Area below $60\text{cm}^2$	Area $60\text{cm}^2$ – $200\text{cm}^2$	Area over $200\text{cm}^2$
<i>Shape C</i>	<i>Shape B</i>	<i>Shape A</i> <i>Shape D</i>